

COMPASS

lock'fix



Goodbye screws!

fast exchange of cutting dies by **lock'fix**

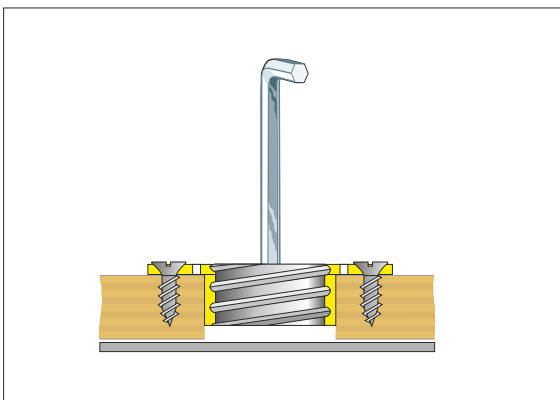
Additional, fast mounting of cutting dies by using very strong magnets instead time-consuming use of screws, resp. reduction of no. of screws. Different hole pattern of back plates of different cutting chases are meaningless.

Reliable solution since more than 20 years!



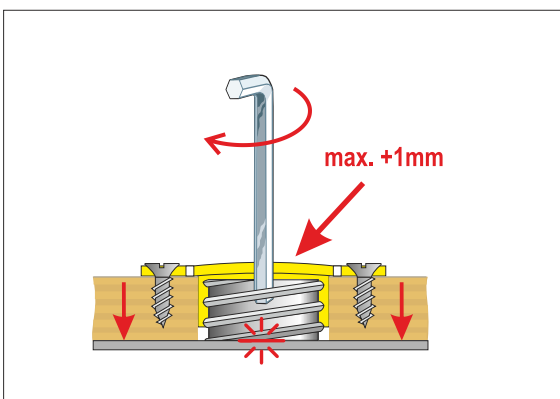
lock'fix

- ▶ super power magnets inside plastic nuts
- ▶ suitable for ALL types of cutting chases
- ▶ easy mounting from topside of cutting die
- ▶ effectively wear-free
- ▶ subsequent mounting in existing cutting dies possible



lock'fix

- ▶ adaption to different wood thicknesses
- ▶ useable for 15mm + 18mm wood
- ▶ just one type of hex head wrench is needed
- ▶ two different diameters: 35 mm + 50 mm



lock'fix

- ▶ powerful magnet fix cutting die
- ▶ spezielle special threads prevent self-sustaining unscrewing of magnets, even when placed in right way
- ▶ springy element inside the nut allows to overtighten without damage of cutting die or cutting chase

